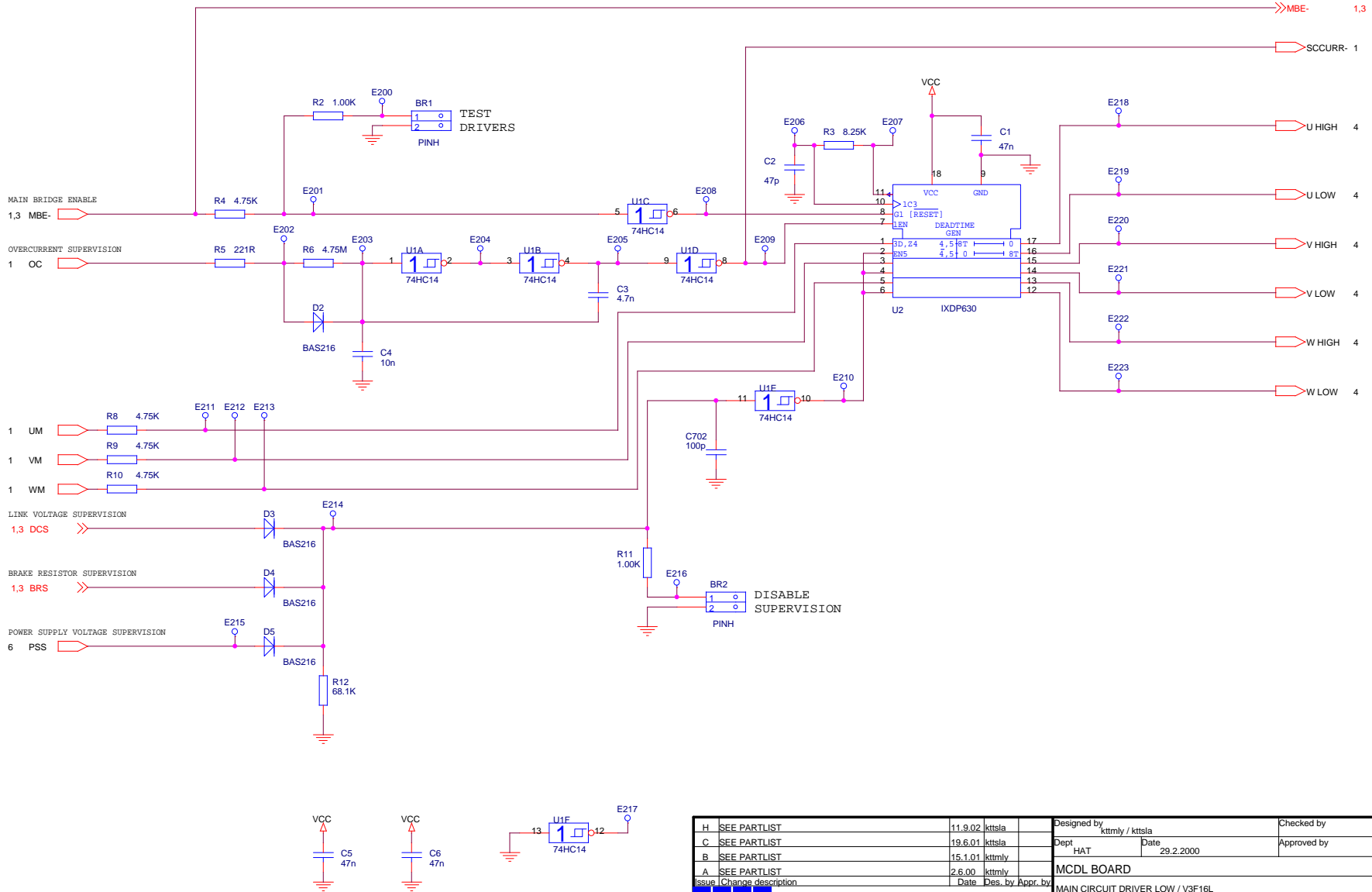


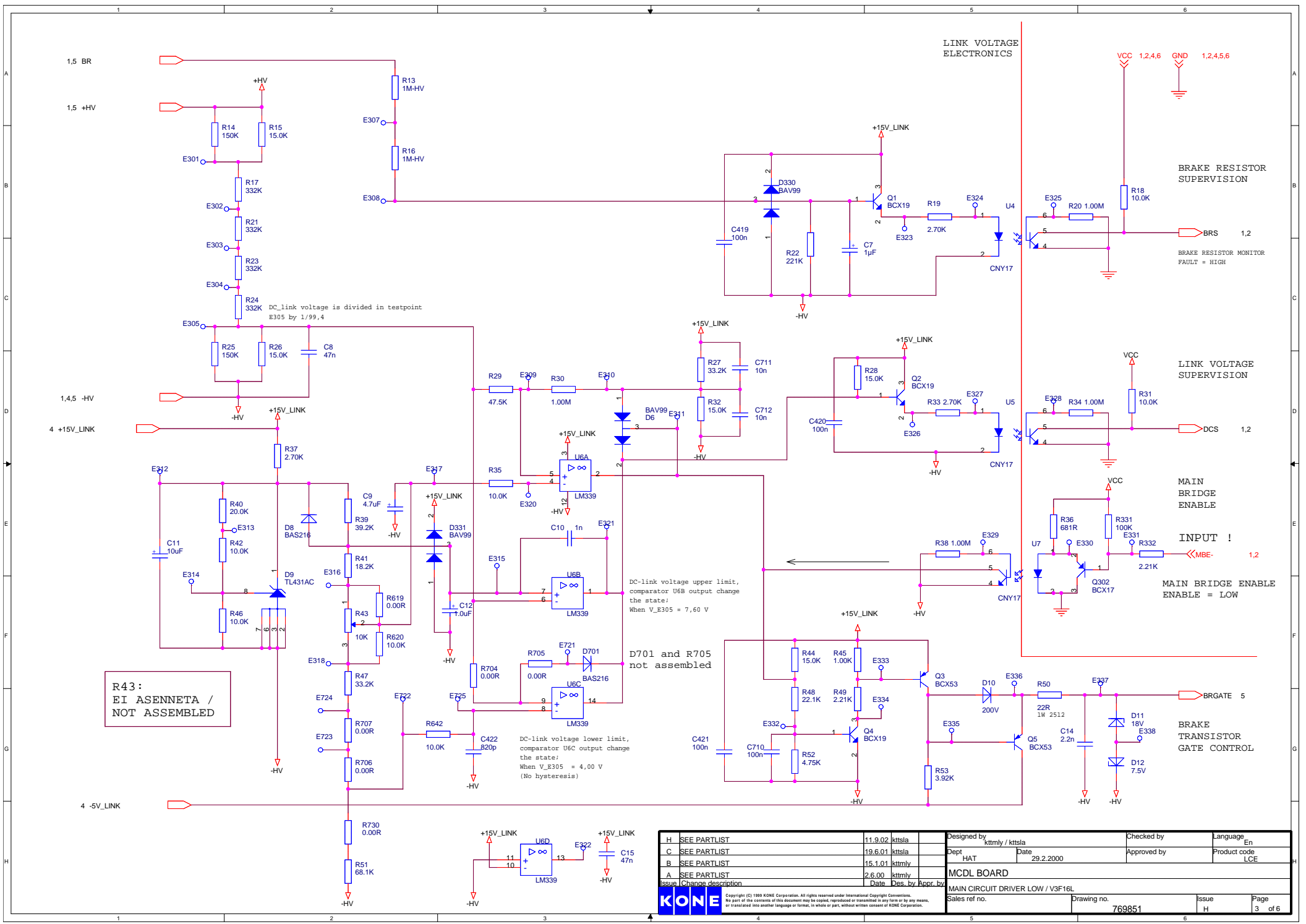
H	SEE PARTLIST	11.9.02	kttsla	Designed by	kttsla / kttsla	Checked by	Language
C	SEE PARTLIST	19.6.01	kttsla	Dept	HAT	Approved by	En
B	SEE PARTLIST	15.1.01	kttsla	Date	29.2.2000	Product code	LCE
A	SEE PARTLIST	2.6.00	kttsla	MCDL BOARD			
Issue / Change description		Date	Des. by	Appr. by			
Copyright (C) 1999 KONE Corporation. All rights reserved under International Copyright Conventions. No part of the contents of this document may be copied, reproduced or transmitted in any form or by any means, in translated into another language or form, in whole or part, without written consent of KONE Corporation.		KONE		MAIN CIRCUIT DRIVER LOW / V3F16L			
Sales ref. no.		Drawing no.		Issue		Page	
		769851		H		1 of 6	

1,3,4,6 VCC >>>VCC 1,3,4,6
 1,3,4,5,6 GND >>>GND 1,3,4,5,6



H	SEE PARTLIST	11.9.02	kttsla	Designed by	kttrny / kttsla	Checked by	Language	En	
C	SEE PARTLIST	19.6.01	kttsla	Dept	HAT	Date	Approved by	Product code	
B	SEE PARTLIST	15.1.01	kttrny			29.2.2000		LCE	
A	SEE PARTLIST	2.6.00	kttrny	MCDL BOARD					
Issue / Change description		Date	Des. by	MAIN CIRCUIT DRIVER LOW / V3F16L					
Copyright (C) 1999 KONE Corporation. All rights reserved under International Copyright Conventions. No part of the contents of this document may be copied, reproduced or transmitted in any form or by any means, or translated into another language or form, in whole or part, without written consent of KONE Corporation.		KONE		Sales ref no.		Drawing no.		Issue	Page
						769851		H	2 of 6

LINK VOLTAGE ELECTRONICS



R43:
EI ASENNETA /
NOT ASSEMBLED

DC-link voltage upper limit,
comparator U6B output change
the state:
When V_E305 = 7,60 V

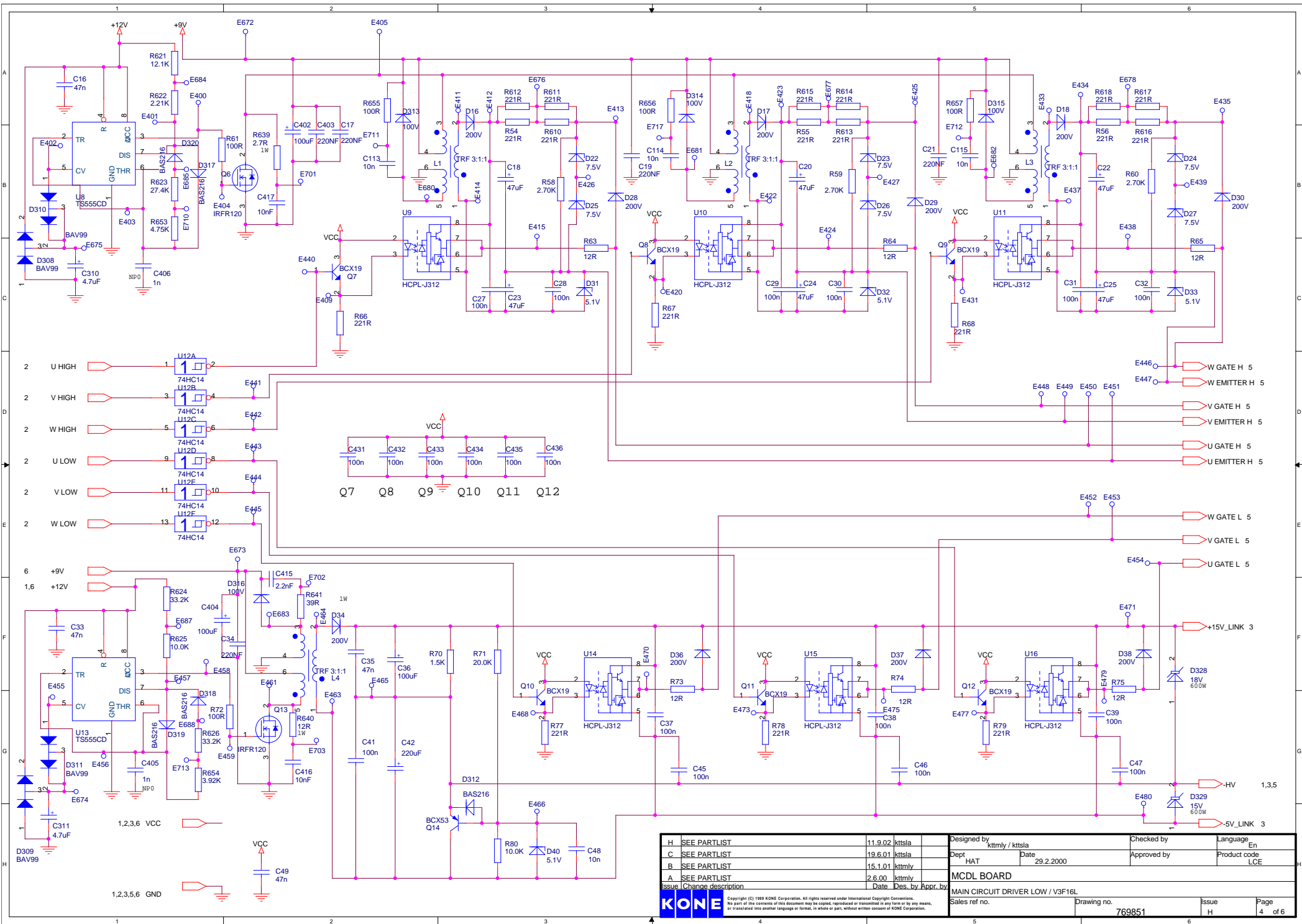
D701 and R705
not assembled

DC-link voltage lower limit,
comparator U6C output change
the state:
When V_E305 = 4,00 V
(No hysteresis)

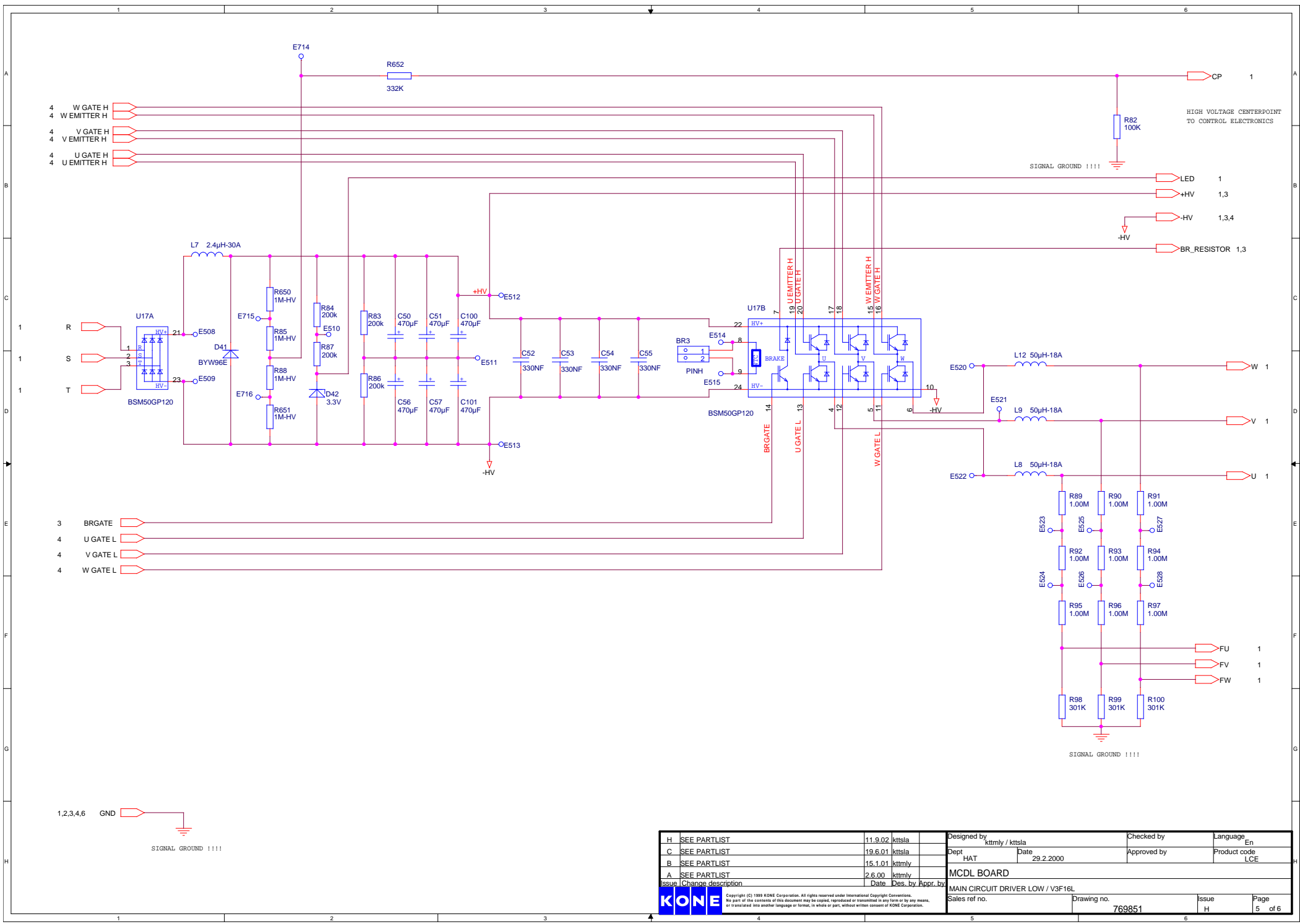
H	SEE PARTLIST	11.9.02	kttsla	Designed by	kttsly / kttsla	Checked by	Language
C	SEE PARTLIST	19.6.01	kttsla	Dept	HAT	Date	29.2.2000
B	SEE PARTLIST	15.1.01	kttsly	Approved by		Product code	LCE
A	SEE PARTLIST	2.6.00	kttsly	Issue	Change description	Date	Des. by
				<p>MCDL BOARD</p> <p>MAIN CIRCUIT DRIVER LOW / V3F16L</p>			
Sales ref. no.		Drawing no.		Issue		Page	
		769851		H		3 of 6	



Copyright (C) 1999 KONE Corporation. All rights reserved under International Copyright Conventions.
No part of the contents of this document may be copied, reproduced or transmitted in any form or by any means,
or translated into another language or form, in whole or part, without written consent of KONE Corporation.

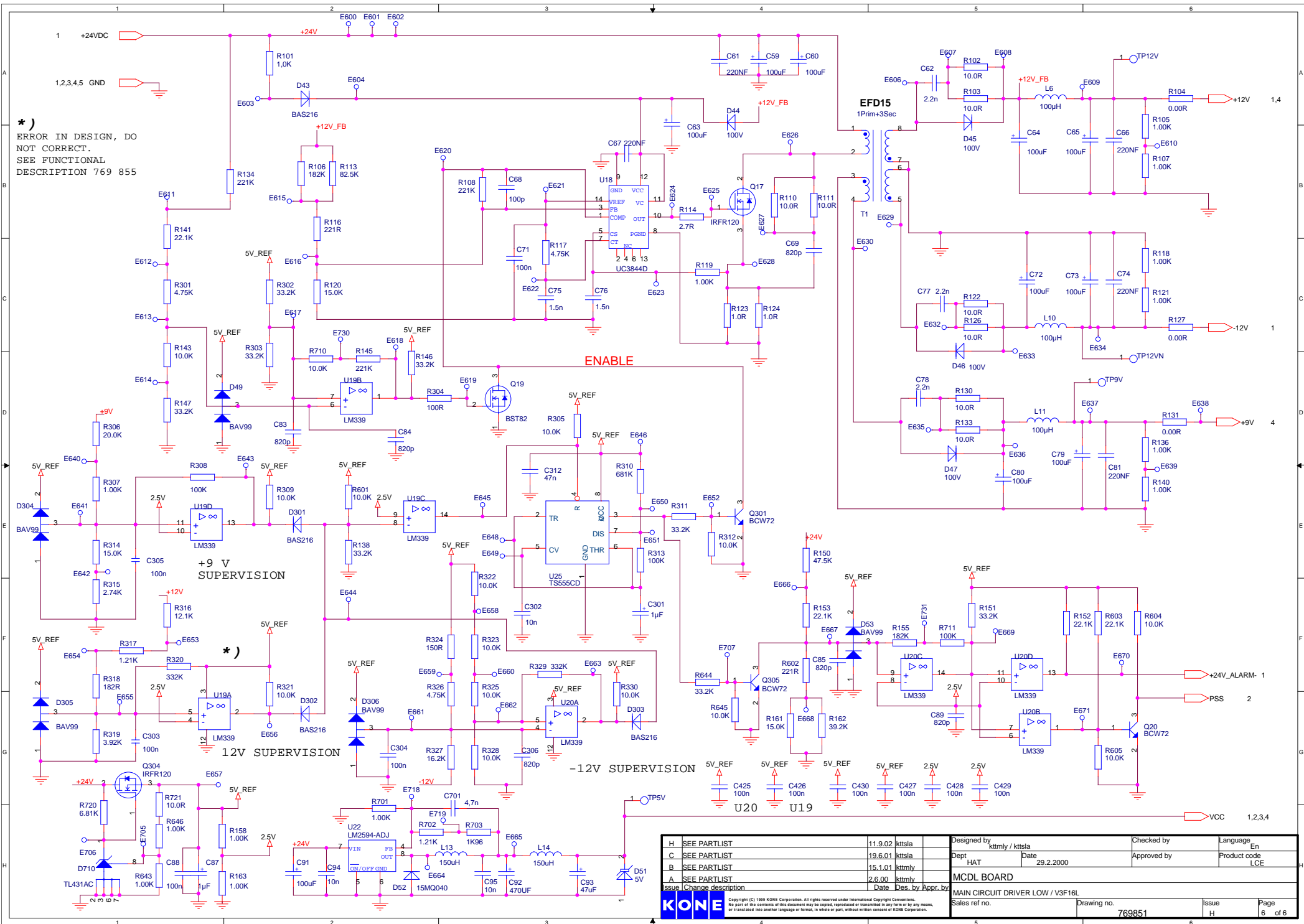


H	SEE PARTLIST	11.9.02	kttsla	Designed by	kttsly / kttsla	Checked by	Language
C	SEE PARTLIST	19.6.01	kttsla	Dept	HAT	Date	29.2.2000
B	SEE PARTLIST	15.1.01	kttsly	Approved by		Product code	LCE
A	SEE PARTLIST	2.6.00	kttsly	MCDL BOARD			
Issue / Change description							
Copyright (C) 1999 KONE Corporation. All rights reserved under International Copyright Conventions. No part of the contents of this document may be copied, reproduced or transmitted in any form or by any means, or translated into another language or form, in whole or part, without written consent of KONE Corporation.				MAIN CIRCUIT DRIVER LOW / V3F16L			
KONE				Sales ref. no.		Drawing no.	
				769851		Issue	
						Page	
						4 of 6	



H	SEE PARTLIST	11.9.02	kttsla	Designed by	kttsla / kttsla	Checked by	Language
C	SEE PARTLIST	19.6.01	kttsla	Dept	HAT	Date	29.2.2000
B	SEE PARTLIST	15.1.01	kttmjv	Approved by		Product code	LCE
A	SEE PARTLIST	2.6.00	kttmjv	MCDL BOARD			
Issue / Change description		Date	Des. by	Appr. by	MAIN CIRCUIT DRIVER LOW / V3F16L		
Copyright (C) 1999 KONE Corporation. All rights reserved under International Copyright Conventions. No part of the contents of this document may be copied, reproduced or transmitted in any form or by any means, or translated into another language or form, in whole or part, without written consent of KONE Corporation.		Sales ref. no.		Drawing no.		Issue	Page
				769851		H	5 of 6

*)
 ERROR IN DESIGN, DO
 NOT CORRECT.
 SEE FUNCTIONAL
 DESCRIPTION 769 855



H	SEE PARTLIST	11.9.02	kttsla	Designed by	kttrmly / kttsla	Checked by	Language	En	
C	SEE PARTLIST	19.6.01	kttsla	Dept	HAT	Date	29.2.2000	Approved by	Product code
B	SEE PARTLIST	15.1.01	kttrmly						LCE
A	SEE PARTLIST	2.6.00	kttrmly						
Issue / Change description		Date		Des. by		Appr. by			